

EcoStar

Professional warewashing – with integrated efficiency and hygienic reliability



EcoStar-Line Product range

EcoStar-Line Step up and start washing – that's real MEIKO convenience!

EcoStar warewashers will introduce you to the MEIKO world of professional washing convenience. Sparkling clean solutions for the catering industry. EcoStar – The name says it all. Whether a small undercounter machine for washing plates or glasses or a pass-through model for washing larger items such as pots and trays, MEIKO's EcoStar range provides extreme durability, hygienic reliability and outstanding efficiency, day after day, glass after glass, dish after dish.



MIKE 1 – Fully electronic control with integrated infrared technology

All of the models in the EcoStar-Line are equipped with convenient and innovative MIKE 1 control technology. Along with our intelligent *M-Commander W* software, data can be quickly and easily read, defined, amended, transferred via PC and transmitted online to our factory or customer service department for immediate evaluation. This provides distinct benefits in terms of reduced time, effort and maintenance costs.





EcoStar 430 F Highest glass quality – compact size



Passing height (in mm)
H 300

Dimensions (in mm)

H 700, W 460, D 575

with base: H 820/850, W 460, D 575

Basket dimensions (in mm)

400 x 400

Baskets per hour

up to 30 baskets/h

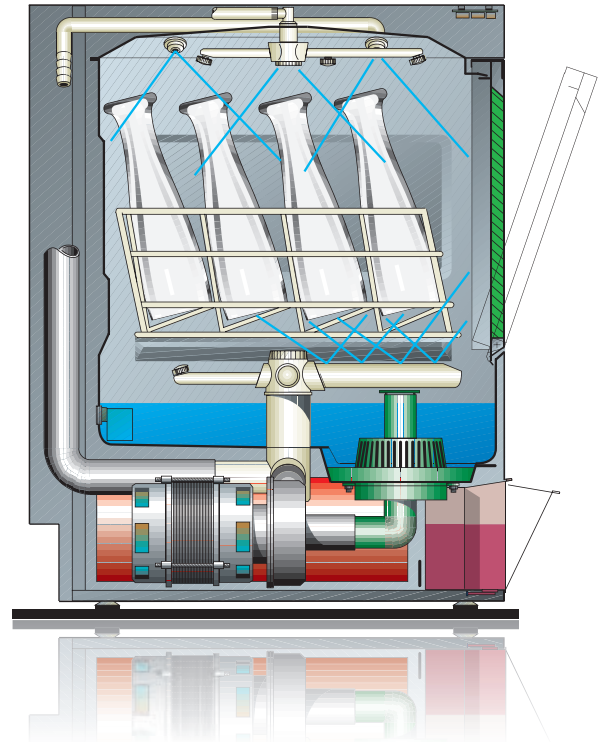
MEIKO Technology:



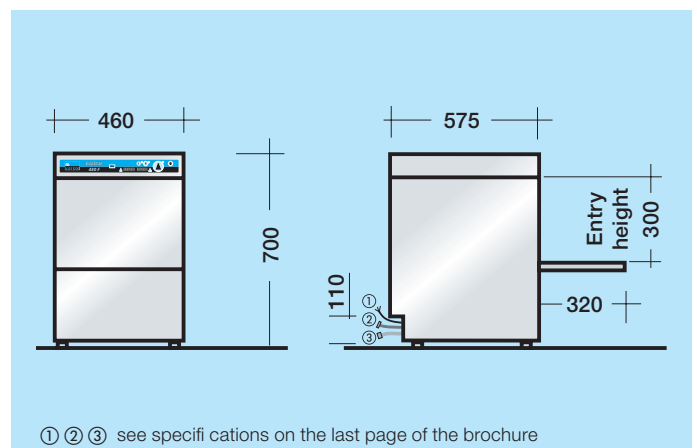
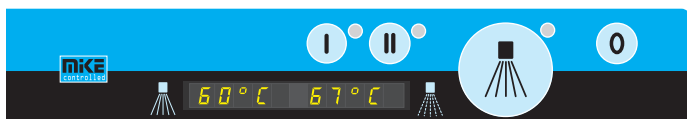
EcoStar 430 F: compact glass washer using 400 mm square baskets – ideal for behind a bar

A professional shows what he's made of, even under continuous strain. MEIKO's EcoStar 430 F completely takes care of washing glasses and will never let you down. The best and most powerful glass washer that you will ever own. Apart from impressive washing results, the advantages you expect from MEIKO make this compact model a highlight behind the bars in cafes, bistros and smaller restaurants.

- Fully electronic *MIKE 1* control with integrated infrared technology
- Choice of two cycle times
- Digital temperature display for wash and final rinse temperatures
- Original MEIKO *eco filter system*
- Usable passing height of 300 mm
- 700 mm installation height, fits below any bar or counter
- Wash and rinse system above and below the glasses
- Soft start of wash pump prevents possible glass breakage
- Cleaning-friendly, deep-drawn wash tank
- Double wall insulation
- Rinse aid dosing unit
- Detergent dosing unit (optional)
- Optional integrated detergent and rinse aid container
- Sloping wash tank ceiling
- Self-cleaning cycle
- 1phase connection
- Drain pump (optional)
- Stainless steel back panel
- Proven quality with all major certificates
- Complete installation kit for water, waste water and electrics



Display with digital temperature display for wash + final rinse temperatures



EcoStar 530 F The professional undercounter dishwasher



Passing height (in mm)
H 320

Dimensions (in mm)

H 820–850, W 600, D 600*

*with integrated water softener 650 mm

Basket dimensions (in mm)

500 x 500

Baskets per hour

up to 30 baskets/h

MEIKO Technology:



EcoStar 530 F: A small machine with shining star qualities.

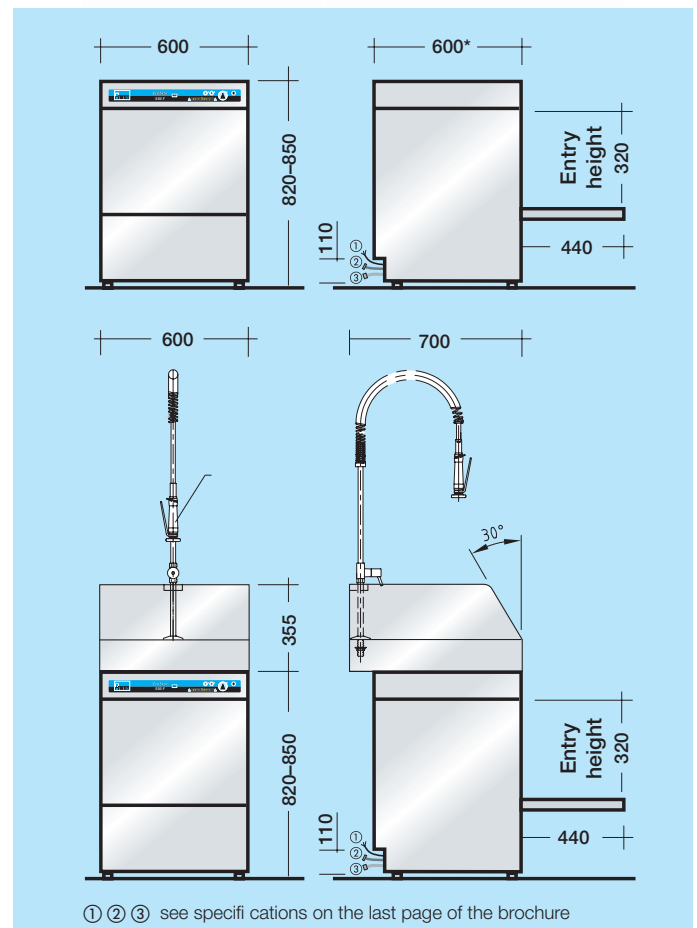
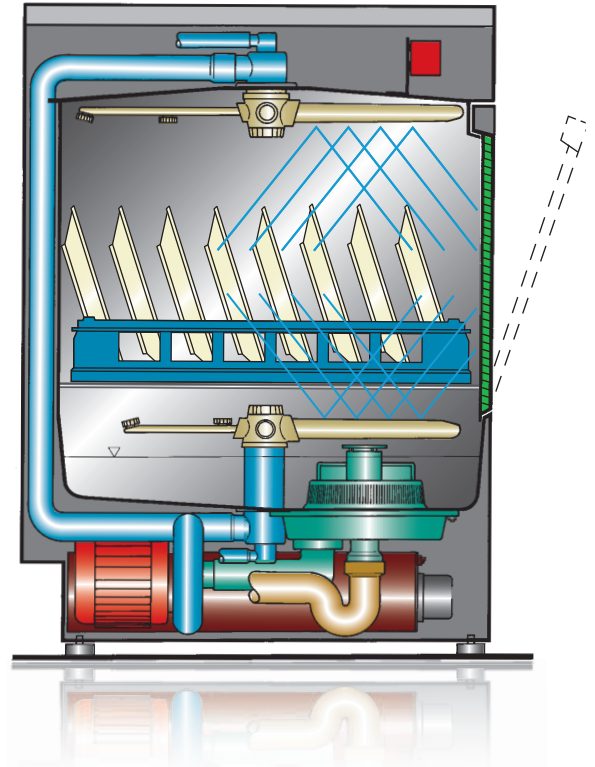
Now you can wash dishes like a star – with intelligent professional technology. Also enjoy enhanced convenience with 2 wash programs and an integrated infrared interface. With our intelligent *M-Commander W* software, data can be read, amended, transferred to a PC or sent online to MEIKO without having to loosen a single screw. Clean technology with clean conditions. Typical EcoStar.

- Fully electronic *MIKE 1* control with integrated infrared technology
- Choice of two cycle times
- Digital temperature display for wash and final rinse temperatures
- Original MEIKO *eco filter system*
- 320 mm passing height
- Wash and rinse system above and below the dishes
- Soft start of wash pump prevents possible breakages
- Cleaning-friendly, deep-drawn wash tank
- Double wall insulation
- Rinse aid dosing unit
- Detergent dosing unit (optional)
- Optional integrated detergent and rinse aid container
- Self-cleaning cycle
- Integrated water softener (optional)
- Drain pump (optional)
- Proven quality with all major certificates
- Complete installation kit for water, waste water and electrics



New!

EcoStar 530 F with pre-wash unit *On top*:
An extremely practical solution for a compact and effective dishwashing station for the EcoStar 530 F (optional).



EcoStar 545 D Clean and efficient – from the very start



440 mm pass-through height:
This means no problem for
Euronorm trays or tall dishware
and beer glasses.



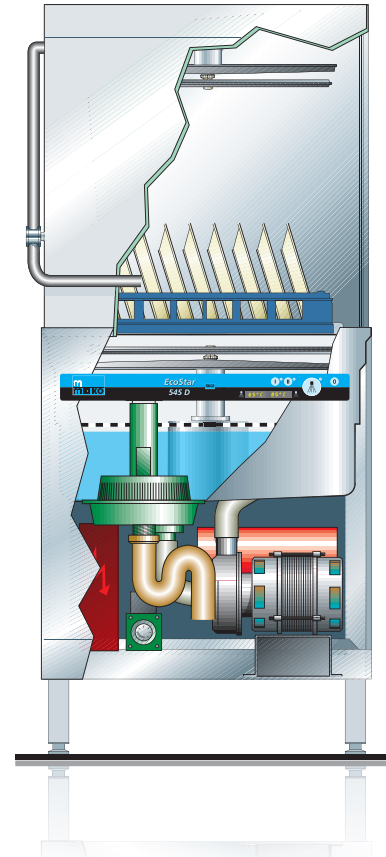
Passing height (in mm)
H 440
Dimensions (in mm)
H 2050/2288*, W 635, D 750
*with optional AirBox AktivAir
Basket dimensions (in mm)
500 x 500
Baskets per hour
up to 40 baskets/h
MEIKO Technology:



EcoStar 545 D: The pass-through model for professional washing

The EcoStar 545 D ensures all around, excellent professional standard washing results. It washes glasses, dishes and trays in a rational workflow. Its easy, intuitive operation and large capacity makes it a favorite in the dishwashing area and in the accounts dept. Its extremely practical equipment and efficiency never fails to impress, making this model attractive to all caterers.

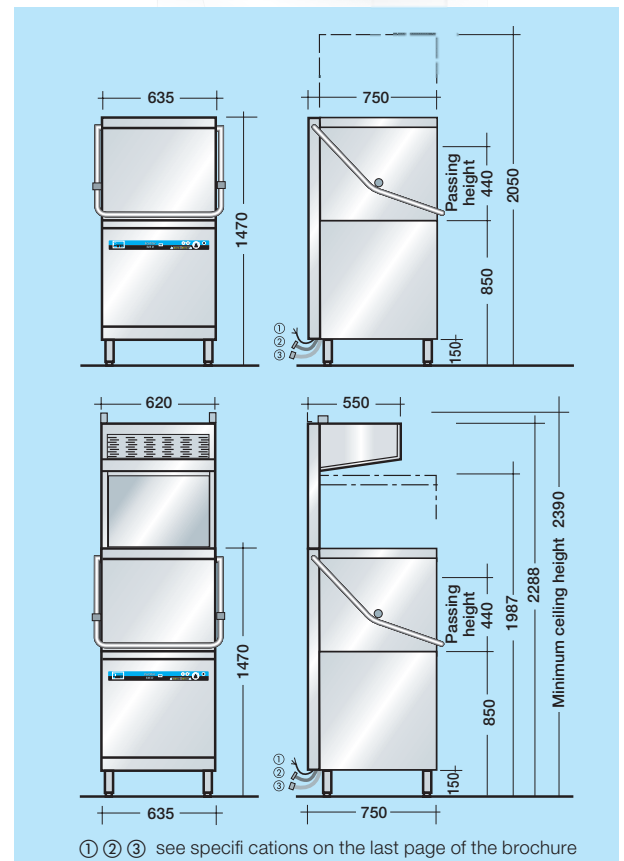
- Fully electronic *MIKE 1* control with integrated infrared technology
- Choice of three cycle times
- Digital temperature display for wash and final rinse temperatures
- Original MEIKO *eco filter system*
- 440 mm pass-through height
- Stainless wash and rinse system above and below the dishes
- Cleaning-friendly deep-drawn wash tank
- 22 litre wash tank positioned at the front of the machine
- Hood with double wall insulation
- Rinse aid dosing unit
- Sloping ceiling with all-around drainage channel prevents wash water from dripping onto dishes
- Self-cleaning cycle
- 150 mm clearance for floor cleaning
- Open hood at rear prevents steam nuisance for operators
- Integrated water softener (optional)
- Drain pump (optional) with front access
- Proven quality with all major certificates
- Complete installation kit for water, waste water and electrics



AirBox AktivAir exhaust treatment (optional): Optimal conditions in the dishwashing area

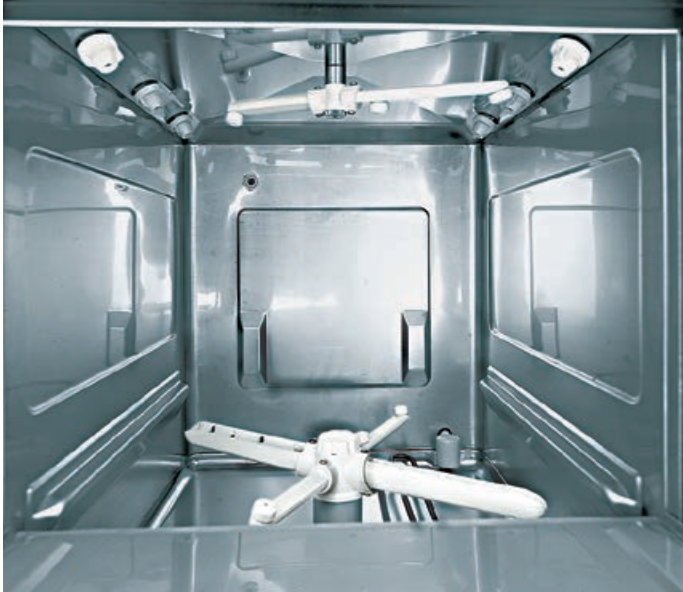


- Central exhaust treatment
- No steam nuisance for the dishwashing operators
- Integrated condensate drain
- Controlled start-up of extraction via wash programme
- Time-controlled delay
- No filter technology and maintenance free
- Can be retrofitted



EcoStar

Clean down to the smallest detail



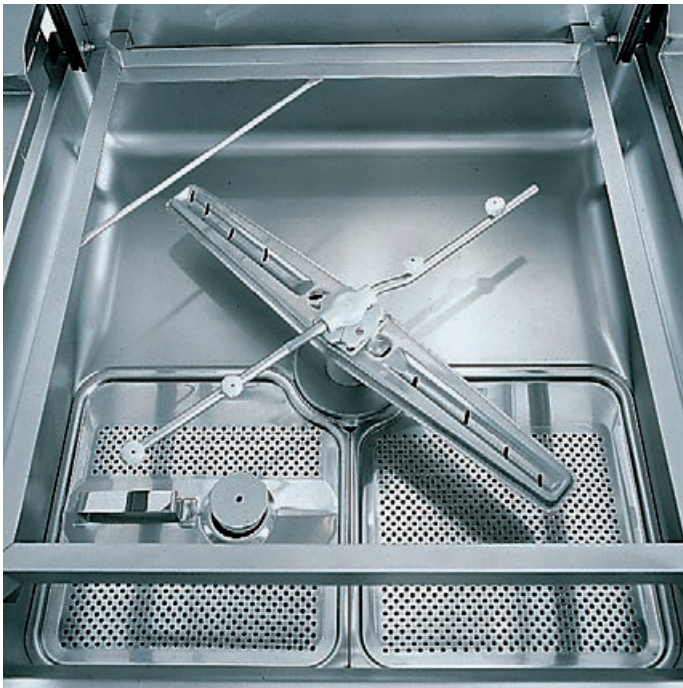
EcoStar 430 F:

Interior view of the professional wash tank. Robust technology combined with the best materials ensure high quality washing along with a convenient, economic 11-litre capacity wash tank.



EcoStar 530 F:

The interior – this is what advanced technology looks like. Sturdy basket guide rails and unhindered accessibility to the *eco filter* system and wash tank, hygiene-friendly curved corners.



EcoStar 545 D:

MEIKO's washing technology is clear and easy to grasp. Two functionally designed, easily removable perforated filter screens cover the wash tank below.



EcoStar 545 D:

Easy maintenance and access – the front located deep drawn wash tank. Important: no obstructing pipes on the rear panel. Convenient handling of the *eco filter*.



EcoStar 430 F / EcoStar 530 F:

Storage tank for detergent and rinse aid (optional). Easy to refill. Reliable dosage for crystal-clear results.



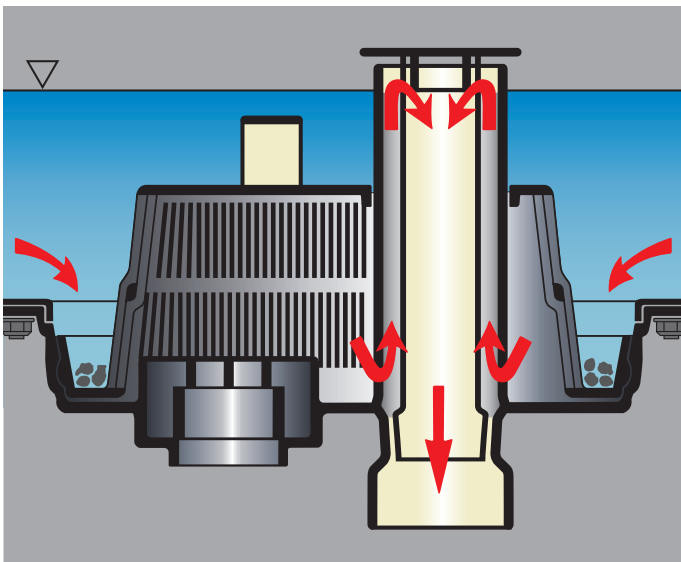
EcoStar 545 D:

Easy-to-use with an all-around hood handle – depressing it starts the programme.

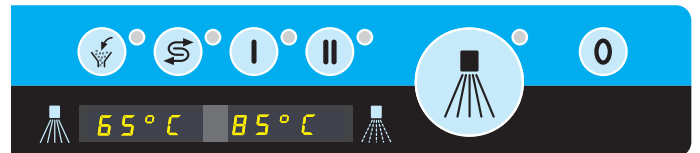


EcoStar 430 F, EcoStar 530 F, EcoStar 545 D:

It's that simple. The complete installation kit. Simply move into position, connect to services, and set into operation. An installation kit for water, waste and electrics is included as part of the machine supply package. Very convenient for the installer.



The original MEIKO *eco filter system* in all EcoStar dishwashers allows for an optimal wash water filtering - this means that clean tank water can be used longer and more efficiently and that outstanding hygienic cleaning results are achieved.



EcoStar 530 F and EcoStar 545 D:

Integrated water softener – both machines can be delivered with an integrated water softener (optional) on request.

		EcoStar 430 F 230 V	EcoStar 530 F 230 V	EcoStar 530 F 400 V	EcoStar 545 D 400 V
Basket dimensions	mm	400 x 400	500 x 500		500 x 500
Basket capacity (theoretical)	up to baskets/h*	30/20	30/20		40/30/15
Dish capacity	up to dishes/h	–	540		720
Glass capacity	up to glasses/h	750	1,080/720		1,440
Programme duration*	sec	120/180	120/180		90/120/240
Pump capacity	kW	0.55	0.55		0.75
Tank capacity	l	11.0	20.0		22.0
Final rinse	l/basket	2.2	3.0		3.0
Tank heating	kW	2.0	2.0		1.3
Boiler heating	kW	3.0	3.0	4.5	–
45 °C inlet temperature	kW	–	–	–	7.5
10 °C inlet temperature	kW	–	–	–	9.0
Total connected load	kW	3.6	3.6	5.1	–
45 °C inlet temperature	kW	–	–	–	9.6
10 °C inlet temperature	kW	–	–	–	11.1
Total connected load with AirBox AktivAir	kW	–	–	–	+ 0.4

*If the machine is connected to a cold water supply and/or if baskets are inserted in quick succession, the duration of the wash cycles may be increased to achieve hygienic final rinse temperatures. (The regulations of VDI 2052 have to be observed for the dimensioning of the air ventilation and de-aeration of the dishwashing area)

EcoStar 430 F, EcoStar 530 F:

Electrical installation:

Electrical connection: ① 1phase 1 NPE 230 V, 50 Hz;
530 F optional 3phase 3 NPE 400 V, 50 Hz.

Boiler and the tank heating are electrically interlocked.

Controls correspond to the regulations of VDE.

Water installation:

Machines can be connected directly to a main water supply without the need of any intermediate safety fittings ②.

A water flow pressure between 2.5 bar and 5.0 bar will be required. The installation regulations EN 1717 need to be considered. ③ Drain outlet DN 50 (installed inside the machine as a trap). Installation of the connection hoses is possible to left or right of the machine, or alternatively downwards*.

* Local wall connection:

max. 100 mm high (430 F) / max. 120 mm high (530 F)

(1 bar = 100 kPa) (① ② ③ see drawings page 5 and page 7)

EcoStar 545 D:

Electrical installation:

Electrical connection: ① 3phase 3 NPE 400 V, 50 Hz.

Controls correspond to the regulations of VDE.

Water installation:

Machines can be connected directly to a main water supply without the need of any intermediate safety fittings ②.

A water flow pressure between 2.5 bar and 5.0 bar will be required. The installation regulations EN 1717 need to be considered. ③ Drain outlet DN 50. Installation of the connection hoses is possible to left or right of the machine, or alternatively downwards.

(1 bar = 100 kPa) (① ② ③ see drawing on page 9)



In accordance with the hygiene requirements of DIN 10511-H for commercial glasswashing, DIN 10512 for commercial dishwashing and DIN SPEC 10534.

